

# 10xW SERIES

## Weatherized Rim Exit Device

The 10xW Series **weatherized rim exit device** is super-heavy-duty **panic** and **fire exit hardware** for use on all types of single doors and gates and double doors and gates with mullions that are or may be exposed directly to the weather. The patented mounting plate and strike locator system ensures the easiest and most accurate installation of panic hardware available. In addition to listing as UL panic and fire exit hardware device, this device conforms to UL1034-34 Temperature Section 34, UL1034-54 Dust Section 54, MIL-STD 810F, Method 506.4 (driving rain test); and MIL-STD 810F, Method 509.4 (salt fog test).



**ANSI 156.3 - 2008**  
**Grade 1**  
**Type 1**

### Benefits

- Tough and durable design for years of trouble-free service in high-use, high-abuse or inclement weather environments
- Minimal door prep saves time and money
- Fast and easy installation saves time and money
- Patented mounting plate and strike locator replaces paper templates
- Outside trims are easily changed or re-keyed without removing device from door
- Heavy duty angled end cap deflects damage away from device

### Features

- Stainless steel deadlocking, Pullman-type latch bolt
- Assembled using components resistant to temperature, dust, driving rain and salt fog
- 1/8 turn hex or cylinder dogging
- Field sizeable
- All exposed surfaces are finished over stainless steel with PVD, an environmentally-friendly finishing process
- Non-handed
- Fasteners made of stainless steel 316 material
- Tested beyond 1,000,000 cycles - Twice the cycling required for Grade 1 UL testing

### Mechanical Options

- H - Hurricane Rated
  - AM - Anti-Microbial Coating
  - BP-3 Mounting plate (call factory for retrofit information)
  - BP-5 Mounting Plate (call factory for retrofit information)
  - CD - Cylinder Dogging
  - HD - Hex Dogging (Std.)
  - LD - Less Dogging
  - EC1 - Heavy duty angled end cap (Std.)
  - EC2 - Flush end cap
  - 99 - Surface Strike (Std.)
  - 98 - Semi Mortise Strike
  - 24 - Fits 24" Door Width
  - 30 - Fits 36" Door Width
  - 36 - Fits 36" Door Width (Std.)
  - 48 - Fits 48" Door Width
- For full list of available mechanical options, see 10 Series How To Order page

### Electrical Options

- Electric Unlock (EU)
- Request to Exit Weatherized (EX W)
- Request to Exit Weatherized for High Voltage (EXV W)

Refer to Electrified Options section for more information

**Accessories**

- GB1 - Glass Bead Kit
- SSK - Security Torx Screw Kit
- GTPLKIT - Adjustable Gate Plate
- SN1 - Sex Nut Kit (2 per package)
- Trim Functions (see Outside Trims)

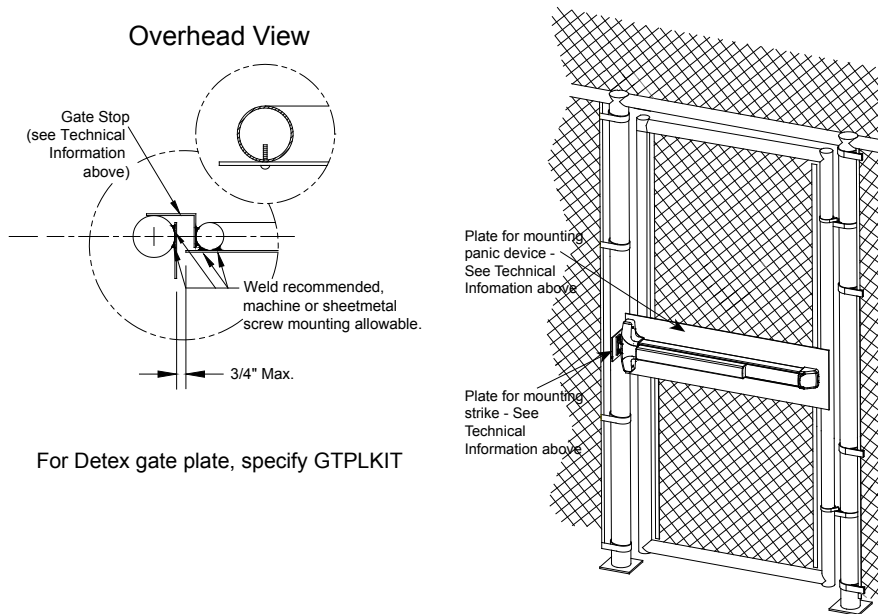
**Technical Information**

- Door Types - Wood, Hollow Metal, Fiberglass or Aluminum
- Door Thickness - Fits standard 1-3/4" - 2-1/4" doors (for other door thicknesses contact factory)
- Minimum Stile - 4-5/8" with standard 99 strike; 4-1/8" with optional 98 strike
- Fasteners - Machine and Self-Drilling Screws standard stainless steel 316 material
- Recommended Plate Size  
 Gate - 1/8" thick plate, galvanized, or painted steel or 1/4" thick aluminum plate, minimum height - 10"  
 Strike - 1/8" thick plated, galvanized, painted steel plate, angle iron, or 1/4" thick aluminum plate, minimum Height - 5"  
 Stop - 1/8" thick plated, galvanized, or painted angle iron or 1/4" thick aluminum angle plate, minimum Height - 2"

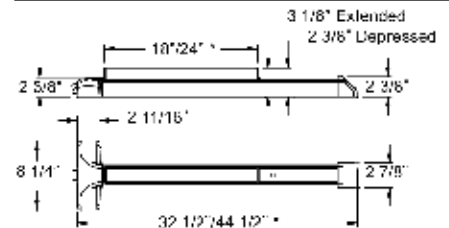
**Finishes**

605 / US3	Polished Brass	612 / US10	Brushed Bronze	630 / US32D	Brushed Stainless Steel
606 / US4	Brushed Brass	613 / US10B	Oil Rubbed Bronze	693 / SPBLK	Black, Painted
611 / US9	Polished Bronze	628 / US28	Aluminum Satin	695 / SP 313	Dark Bronze, Painted
		629 / US32	Polished Stainless Steel		

**Single Gate**



**Dimensions**



- \* 18" and 32 1/2" dimension for 36" door
- \* 24" and 44 1/2" dimension for 48" door

**Detex Limited Warranty**

10 Year Mechanical/3 year Electrical Limited Manufacturer's Warranty

**Listings and Approvals**



UL Listed Panic Hardware  
 UL1034-34 Temperature Section 34 [Temperature Range -31°F (-35° C) to 150° F (+66° C)]  
 UL1034-54 Dust Section 54



ANSI/BHMA certified A156.3  
 MIL-STD 810F (G), Method 509.4 (Salt Fog Test)  
 MIL-STD 810F (G), Method 506.4 (Driving Rain), Procedure 1



Meets ADA Requirements



Meets NFPA 80 & 101 for Life Safety



State of Florida Approval

Texas Department of Insurance