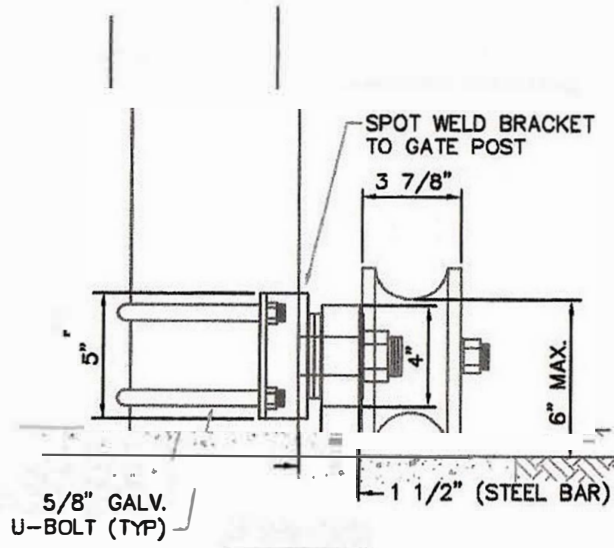
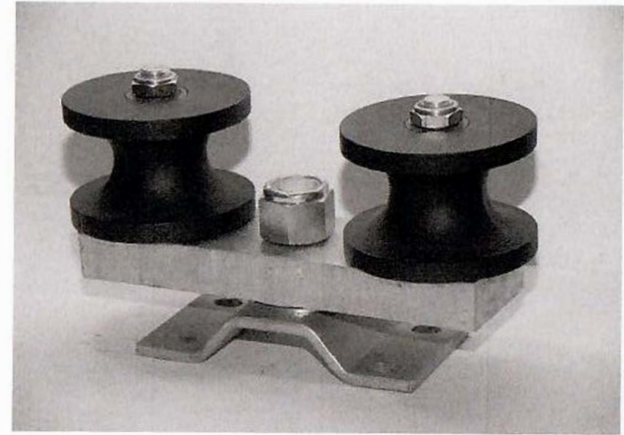


TOP VIEW



SECTION

DOUBLE ROLLER ASSEMBLY